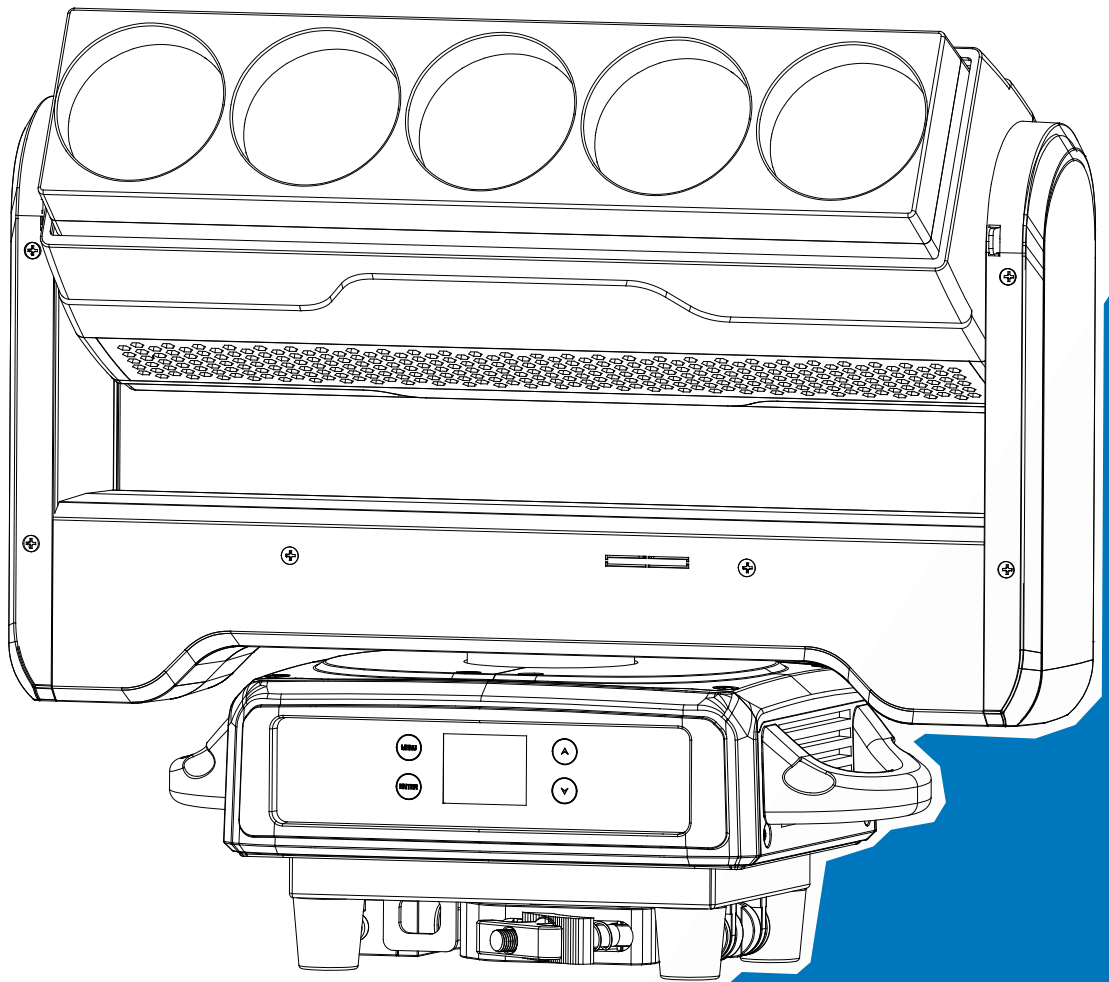




GEMINI



User Manual

Please read the instruction carefully before use

CONTENTS

1. Safety Instructions	2
2. Technical Specifications	6
3. Control Panel	8
4. How To Set The Unit.....	8
4.1 Main Function.....	8
4.2 Home Position Adjustment	16
5. Control By Universal DMX Controller	19
5.1 DMX512 Connection	19
5.2 Address Setting	20
5.3 DMX512 Configuration.....	20
6. Error Information	56
7. Troubleshooting	59
8. Fixture Cleaning	60

1. Safety Instructions



Please read the instruction carefully which includes important information about the installation, usage and maintenance.

WARNING

Please keep this User Guide for future consultation. If you sell the unit to another user, be sure that they also receive this instruction manual.

Important:

Damages caused by the disregard of this user manual are not subject to warranty. The dealer will not accept liability for any resulting defects or problems.

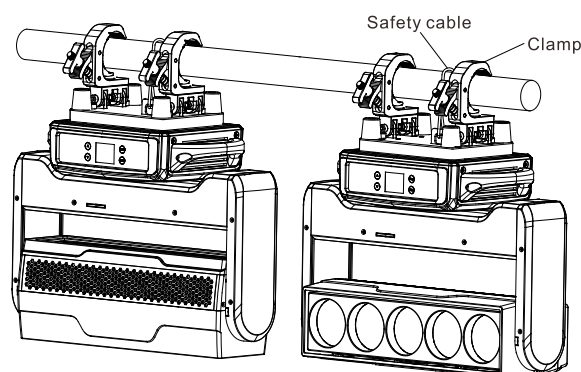
- Unpack and check carefully to ensure that there is no transportation damage before using the unit.
- This product is for indoor use only. Use only in a dry location.
- DO install and operate by qualified operator.
- DO NOT allow children to operate the fixture.
- Use safety chain when fixing the unit. Handle the unit by carrying its base instead of head only.
- The unit must be installed in a location with adequate ventilation, at least 50cm from adjacent surfaces.
- Be sure that no ventilation slots is blocked, otherwise the unit will be overheated.
- Before operation, ensure that you are connecting this product to the proper voltage in accordance with the specifications in this manual or on the product's specification label.
- It's important to ground the yellow/green conductor to earth in order to avoid electric shock.
- Minimum ambient temperature TA: 0°C. Maximum ambient temperature TA: 40°C. Do not operate this product at a lower or higher temperature.
- DO NOT connect the device to any dimmer pack.
- Keep flammable materials away from the fixture while operating to avoid fire hazard.
- Make sure the power cord is not crimped or damaged; replace it immediately if damaged.
- Unit's surface temperature may reach up to 75°C. DO NOT touch the housing bare-handed during its operation.
- Avoid any flammable liquids, water or metal from entering the unit. Once it happens, cut off the mains power immediately.

- DO NOT operate in a dirty or dusty environment. DO clean the fixture regularly.
- DO NOT touch any wire during operation as there might be a hazard of electric shock.
- Avoid entanglement of the power cord with other wires.
- The minimum distance to objects/surface must be more than 0.5 meters.
- Disconnect mains power before fuse replacement or servicing.
- Replace fuse only with the same type.
- In the event of serious operating problem, stop using the unit immediately.
- Never turn on and off the unit time after time.
- The housing, the lenses, or the ultraviolet filter must be replaced if they are visibly damaged.
- DO NOT open the housing as there are no user serviceable parts inside.
- DO NOT attempt to operate this unit if it becomes damaged. DO NOT attempt any repairs yourself. Repairs carried out by unskilled people can lead to damage or malfunction. Please contact the nearest authorized technical assistance center if needed.
- Disconnect this product from its power source before servicing.
- DO use the original packaging if the device is to be transported.
- Avoid direct eye exposure to the light source while the product is on.
- DO NOT operate this product if you see damage on the housing, shields, or cables. Have the damaged parts replaced by an authorized technician at once.

Installation:

The fixture should be fixed on the clamp. Always ensure that the unit is firmly fixed to avoid vibration and slipping off during operation. Ensure that the trussing or area of installation must be able to hold 10 times the weight without any deformation. Always install a safety cable that can hold at least 12 times the weight of the fixture when installing.

DO install and operate by qualified operator. It must be installed in a place where there is out of the reach of people.



1. Consignes de sécurité



Veillez lire attentivement les instructions qui contiennent des informations importantes sur l'installation, l'utilisation et l'entretien.

ATTENTION

Veillez conserver ce guide de l'utilisateur pour une consultation future. Si vous vendez l'appareil à un autre utilisateur, assurez-vous qu'il reçoive également ce manuel d'instructions.

Important:

Les dommages causés par le non-respect de ce manuel d'utilisation ne sont pas couverts par la garantie. Le revendeur n'acceptera aucune responsabilité pour les défauts ou problèmes qui en résultent.

- Déballez et vérifiez soigneusement qu'il n'y a pas de dommages dus au transport avant d'utiliser l'appareil.
- Ce produit est destiné à un usage intérieur uniquement. Il doit donc être utilisé uniquement dans un endroit sec.
- L'installation et la mise en fonctionnement doit être effectué par un opérateur qualifié.
- NE PAS permettre aux enfants d'utiliser l'appareil.
- Utilisez une chaîne de sécurité lors de la fixation de l'unité. Manipulez l'appareil en portant sa base au lieu de la tête uniquement.
- L'unité doit être installée dans un endroit avec une ventilation adéquate, à au moins 50cm des surfaces adjacentes.
- Assurez-vous qu'aucune fente d'aération du luminaire n'est obstruée, sinon il risque de surchauffer.
- Avant toute utilisation, assurez-vous que vous connectez ce luminaire à la tension appropriée conformément aux spécifications que vous trouverez dans ce manuel ou sur l'étiquette des spécifications collée sur la base du luminaire.
- Il est important de relier le file jaune/vert à la terre afin d'éviter tout choc électrique.
- Température ambiante minimale TA: 0. Température ambiante maximale TA: 40. N'utilisez pas ce luminaire à des températures inférieures ou supérieures.
- NE PAS connecter le luminaire à un pack de gradateurs.
- Gardez les matériaux inflammables à l'écart du luminaire pendant le fonctionnement pour éviter tout risque d'incendie.

- Assurez-vous que le cordon d'alimentation n'est pas pincé ou endommagé; remplacez-le immédiatement s'il est endommagé.
- La température de surface de l'unité peut atteindre 75°C. NE PAS toucher les capots à mains nues pendant son fonctionnement.
- Évitez que des liquides inflammables, de l'eau ou du métal ne pénètrent dans l'appareil. Si cela se produit, coupez immédiatement l'alimentation secteur.
- NE PAS utiliser le luminaire dans un environnement sale ou poussiéreux. Cette appareil doit être nettoyer régulièrement.
- NE touchez AUCUN file pendant le fonctionnement car il pourrait y avoir un risque de choc électrique.
- Évitez l'enchevêtrement du cordon d'alimentation avec d'autres fils.
- La distance minimale de projection sur des objets ou sur des surfaces doit être supérieure à 0.5 mètres.
- Débranchez l'alimentation secteur avant le remplacement ou l'entretien des fusibles.
- Remplacez le fusible uniquement par un fusible du même type.
- En cas de problème de fonctionnement grave, arrêtez immédiatement d'utiliser l'appareil.
- N'allumez et n'éteignez jamais ce luminaire à maintes reprises.
- Le boîtier, les lentilles ou le filtre ultraviolet doivent être remplacés s'ils sont visiblement endommagés.
- NE PAS ouvrir le boîtier car il ne contient aucune pièce réparable par l'utilisateur.
- NE PAS mettre ce luminaire en fonctionnement s'il est endommagé. N'effectuez pas de réparations vous-même. Les réparations ne doivent être effectuées par des personnes non qualifiées, cela peut entraîner des dommages ou des dysfonctionnements. Veuillez contacter le centre d'assistance technique agréé le plus proche si nécessaire.
- Débranchez ce produit du secteur avant de procéder à l'entretien.
- Utiliser l'emballage d'origine si l'appareil doit être transporté.
- Évitez une exposition directe des yeux à la source lumineuse lorsque le produit est allumé.
- N'utilisez PAS ce produit si vous constatez des dommages sur le boîtier, les blindages ou les câbles. Faites remplacer immédiatement les pièces endommagées par un technicien agréé.

Installation:

Le luminaire doit être fixé à l'aide de crochets. Assurez-vous toujours que l'appareil est fermement fixé pour éviter les vibrations et le glissement pendant le fonctionnement. Assurez-vous que la structure ou la zone d'installation peut supporter au moins 10 fois le poids de cet appareil sans aucune déformation. Installez toujours un câble de sécurité pouvant supporter au moins 12 fois le poids du luminaire lors de l'installation.

L'installation et l'utilisation de ce luminaire doit être effectué par un opérateur qualifié. Il doit être installé dans un endroit hors de portée des personnes.

2. Technical Specifications

Power Voltage:

100-240V~ 50/60Hz

Power Consumption:

1240W

Light Source:

5x60W RGBW LED

Beam Angle:

2.8°-31°

Field Angle:

5°-46°

Strobe:

Light Source: 36x18W CW LED

Beam Angle: 96°

Field Angle: 116°

Movement:

Pan/Tilt movement: Infinite

Fixation: Pan/Tilt Lock

Dimmer/Shutter:

Smooth dimming from 0-100%; outstanding strobe effect with variable speed

Control:

DMX Channel: 58/25/23/35+/27/70/55 Channels
 Control Mode: DMX512, RDM, Art-Net, sACN
 Firmware Upgrade via DMX link

Construction:

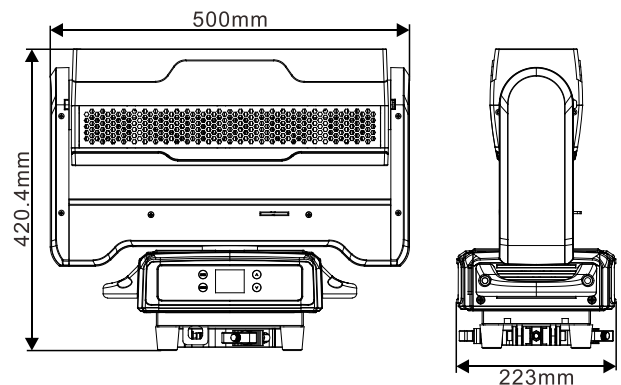
Display: LCD display
 Battery backup, for user setup without power connection
 Data In/Out: 3-pin XLR (5-pin XLR is optional), RJ45
 Power In/Out: Power Connector in/out
 Protection Rating: IP20

Features:

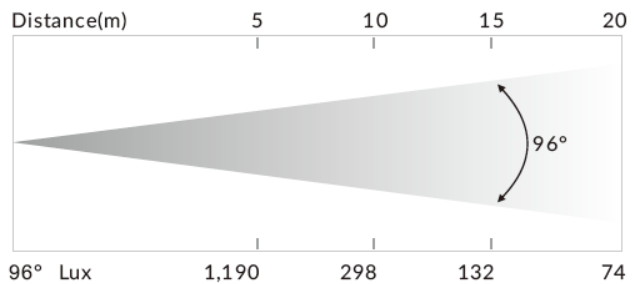
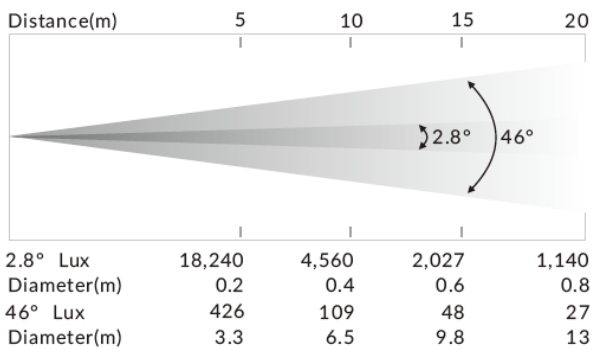
With zoom and strobe function
 Beam mode: 5 LEDs can be controlled individually
 Strobe mode: 18 zone can be controlled individually
 Linear motorized zoom
 Outstanding color mixing effect
 2 x fixed clamps for 50mm truss

Dimensions/Weight:

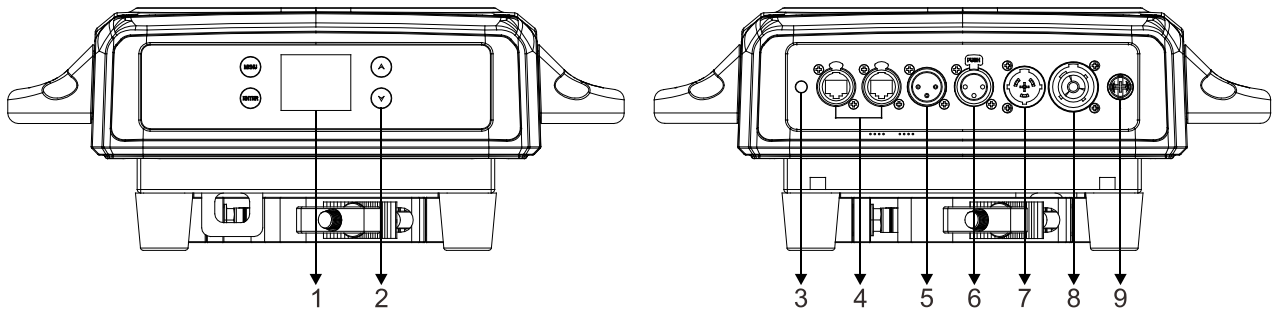
500x223x420.4mm, 20.5kgs
 19.7"x8.8"x16.6" in, 45.2lbs



Photometric Diagram:



3. Control Panel



1. Display: To show the various menus and the selected function

2. Button:

MENU	To enter into move backward or leave the menu
UP	To go backward to move up in the menu
DOWN	To go forward to move down in the menu
ENTER	To perform the desired functions

3. BATTERY DISPLAY

4. ETHERNET: Transfers fixture's information to a main controller

5. DMX IN:

For DMX512 link, use 3-pin XLR cable to link the unit and DMX controller (5-pin XLR is optional)

6. DMX OUT:

For DMX512 link, use 3-pin XLR cable to link the next units (5-pin XLR is optional)

7. POWERCON IN: Connects to supply power

8. POWERCON OUT: Connects to the next fixture

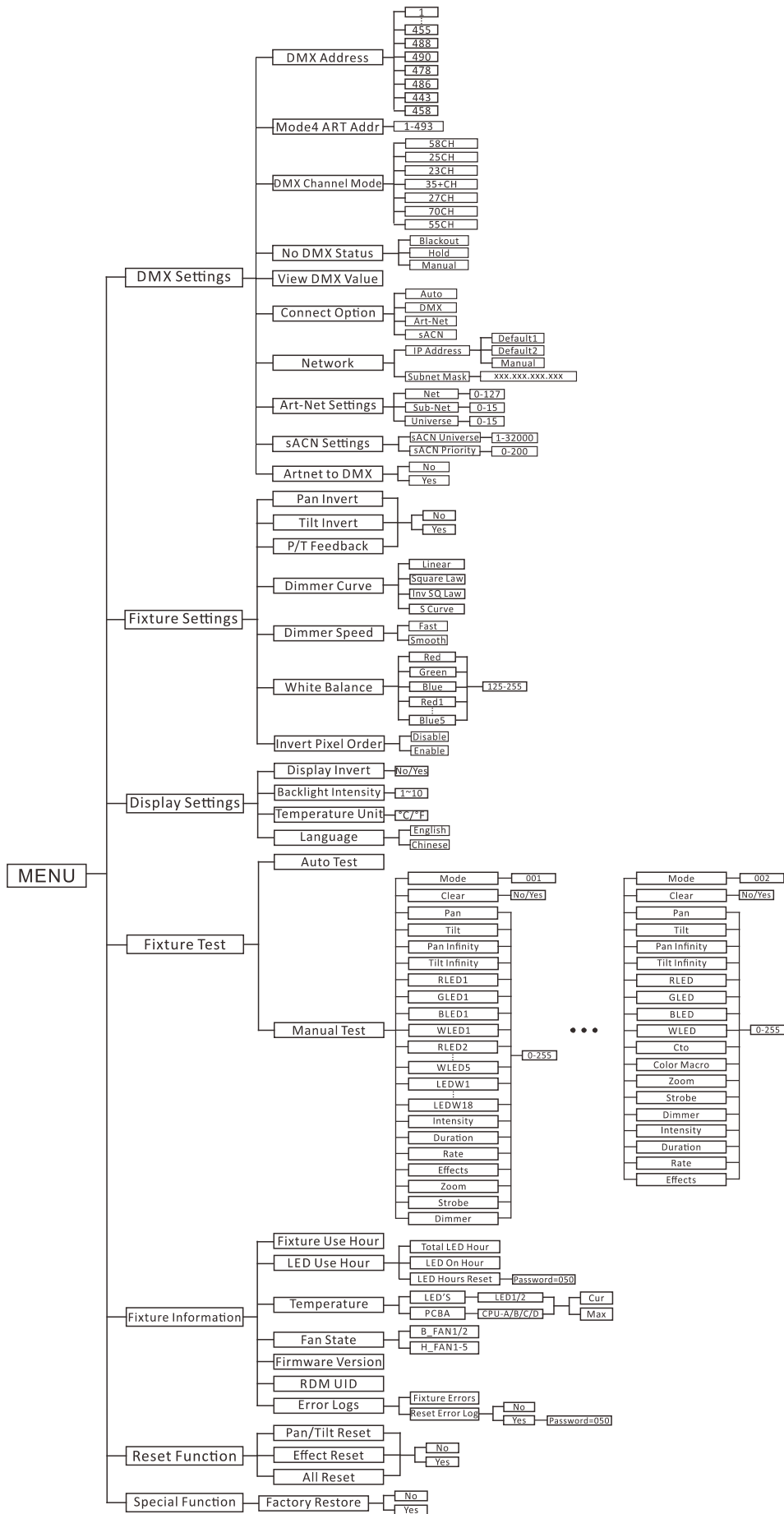
9. FUSE(T 15A): Protects the unit from damage of over current

4. How To Set The Unit

4.1 Main Function

Turn on the unit, press the MENU button into menu mode, and press the UP/DOWN button until the required function is shown on the monitor. Select the function by pressing the ENTER button. Use the UP/DOWN button to choose the submenu, press the ENTER button to store and automatically return to the last menu. Press the MENU button or let the unit idle 30 seconds to exit menu mode.

The main functions are shown below:



DMX Settings

To select **DMX Settings**, press the **ENTER** button to confirm, use the **UP/DOWN** button to select **DMX Address, Mode4 ART Addr, DMX Channel Mode, No DMX Status, View DMX Value, Connect Option, Network, Art-Net Settings, sACN Settings** or **Artnet to DMX**.

DMX Address

To select **DMX Address**, press the **ENTER** button to confirm. Use the **UP/DOWN** button to adjust the address from **001** to **455/488/490/478/486/443/458**, press the **ENTER** button to store. Press the **MENU** button back to the last menu or let the unit idle 30 seconds to exit menu mode.

Mode4 ART Addr

To select **Mode4 ART Addr**, press the **ENTER** button to confirm. Use the **UP/DOWN** button to adjust the address from **001** to **493**, press the **ENTER** button to store. Press the **MENU** button back to the last menu or let the unit idle 30 seconds to exit menu mode.

DMX Channel Mode

To select **DMX Channel Mode**, press the **ENTER** button to confirm. Use the **UP/DOWN** button to select **58 CH, 25 CH, 23 CH, 35+ CH, 27 CH, 70 CH** or **55 CH**, press the **ENTER** button to store. Press the **MENU** button back to the last menu or let the unit idle 30 seconds to exit menu mode.

No DMX Status

To select **No DMX Status**, press the **ENTER** button to confirm. Use the **UP/DOWN** button to select **Blackout**(fixture blacks out if DMX signal stops), **Hold**(fixture continues to obey the last command it received Via DMX if DMX signal stops) or **Manual**(the fixture will automatically read the DMX value in the “Manual Test” menu for operation after selecting this mode), press the **ENTER** button to store. Press the **MENU** button back to the last menu or let the unit idle 30 seconds to exit menu mode.

View DMX Value

To select **View DMX Value**, press the **ENTER** button to confirm. Use the **UP/DOWN** button to view the DMX channel value. Press the **MENU** button back to the last menu or let the unit idle 30 seconds to exit menu mode.

Connect Option

To select **Connect Option**, press the **ENTER** button to confirm. Use the **UP/DOWN** button to select **Auto, DMX, Art-Net** or **sACN**, press the **ENTER** button to store. Press the **MENU** button back to the last menu or let the unit idle 30 seconds to exit menu mode.

Network

To select **Network**, press the **ENTER** button to confirm. Use the **UP/DOWN** button to select **IP Address** or **Subnet Mask**, press the **ENTER** button to store. Press the **MENU** button back to the last menu or let the unit idle 30 seconds to exit menu mode.

Art-Net Settings

To select **Art-Net Settings**, press the **ENTER** button to confirm. Use the **UP/DOWN** button to select **Net**, **Subnet** or **Universe**, press the **ENTER** button to store. Press the **MENU** button back to the last menu or let the unit idle 30 seconds to exit menu mode.

sACN Settings

To select **sACN Settings**, press the **ENTER** button to confirm. Use the **UP/DOWN** button to select **sACN Universe** or **sACN Priority**, press the **ENTER** button to store. Press the **MENU** button back to the last menu or let the unit idle 30 seconds to exit menu mode.

Artnet to DMX

To select **Artnet to DMX**, press the **ENTER** button to confirm. Use the **UP/DOWN** button to select **No** or **Yes**, press the **ENTER** button to store. Press the **MENU** button back to the last menu or let the unit idle 30 seconds to exit menu mode.

Fixture Settings

To select **Fixture Settings**, press the **ENTER** button to confirm, use the **UP/DOWN** button to select **Pan Invert**, **Tilt Invert**, **P/T Feedback**, **Dimmer Curve**, **Dimmer Speed**, **White Balance** or **Invert Pixel Order**.

Pan Invert

To select **Pan Invert**, press the **ENTER** button to confirm. Use the **UP/DOWN** button to select **No** (normal) or **Yes** (pan invert), press the **ENTER** button to store. Press the **MENU** button back to the last menu or let the unit idle 30 seconds to exit menu mode.

Tilt Invert

To select **Tilt Invert**, press the **ENTER** button to confirm. Use the **UP/DOWN** button to select **No** (normal) or **Yes** (tilt invert), press the **ENTER** button to store. Press the **MENU** button back to the last menu or let the unit idle 30 seconds to exit menu mode.

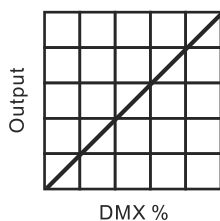
P/T Feedback

To select **P/T Feedback**, press the **ENTER** button to confirm. Use the **UP/DOWN** button to select **No** (Pan or tilt's position will not feedback while out of step) or **Yes** (Feedback while pan/tilt out of step), press the **ENTER** button to store. Press the **MENU** button back to the last menu or let the unit idle 30 seconds to exit menu mode.

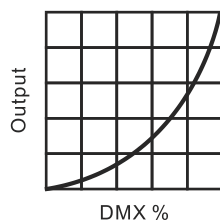
Dimmer Curve

To select **Dimmer Curve**, press the **ENTER** button to confirm. Use the **DOWN/UP** button to select **Linear, Square Law, Inv SQ Law** or **S Curve**, press the **ENTER** button to store. Press the **MENU** button back to the last menu or let the unit idle 30 seconds to exit menu mode.

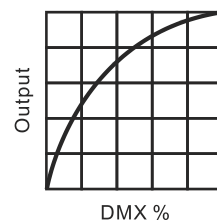
Dimmer Modes



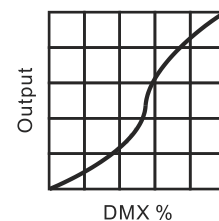
Optically Linear



Square Law



Inverse Square Law



S-curve

Optically Linear: The increase in light intensity appears to be linear as DMX value is increased.

Square Law: Light intensity control is finer at low levels and coarser at high levels.

Inverse Square Law: Light intensity control is coarser at low levels and finer at high levels.

S-Curve: Light intensity control is finer at low levels and high levels and coarser at medium levels.

Dimmer Speed

To select **Dimmer Speed**, press the **ENTER** button to confirm. Use the **UP/DOWN** button to select **Fast** or **Smooth**, press the **ENTER** button to store. Press the **MENU** button back to the last menu or let the unit idle 30 seconds to exit menu mode.

White Balance

To select **White Balance**, press the **ENTER** button to confirm. Use the **UP/DOWN** button to select **Red, Green, Blue, Red1, Green1, Blue1.....** or **Red5, Green5, Blue5**, press the **ENTER** button to store. Use the **UP/DOWN** button to adjust the value from **125** to **255**, press the **ENTER** button to store. Press the **MENU** button back to the last menu or let the unit idle 30 seconds to exit menu mode.

Invert Pixel Order

To select **Invert Pixel Order**, press the **ENTER** button to confirm. Use the **UP/DOWN** button to select **Disable** or **Enable**, press the **ENTER** button to store. Press the **MENU** button back to the last menu or let the unit idle 30 seconds to exit menu mode.

Display Settings

To select **Display Settings**, press the **ENTER** button to confirm, use the **UP/DOWN** button to select **Display Invert**, **Backlight Intensity**, **Temperature Unit** or **Language**.

Display Invert

Select **Display Invert**, press the **ENTER** button to confirm. Use the **UP/DOWN** button to select **No** (normal display) or **Yes** (invert display), press the **ENTER** button to store. Press the **MENU** button back to the last menu or let the unit idle 30 seconds to exit menu mode.

Backlight Intensity

Select **Backlight Intensity**, press the **ENTER** button to confirm. Use the **UP/DOWN** button to adjust backlight intensity from **1** (dark) to **10** (bright), press the **ENTER** button to store. Press the **MENU** button back to the last menu or let the unit idle 30 seconds to exit menu mode.

Temperature Unit

Select **Temperature Unit**, press the **ENTER** button to confirm. Use the **UP/DOWN** button to select **°C** or **°F**, press the **ENTER** button to store. Press the **MENU** button back to the last menu or let the unit idle 30 seconds to exit menu mode.

Language

Select **Language**, press the **ENTER** button to confirm. Use the **UP/DOWN** button to select **English** or **Chinese**, press the **ENTER** button to store. Press the **MENU** button back to the last menu or let the unit idle 30 seconds to exit menu mode.

Fixture Test

To select **Fixture Test**, press the **ENTER** button to confirm, use the **UP/DOWN** button to select **Auto Test** or **Manual Test**.

Auto Test

Select **Auto Test**, press the **ENTER** button to confirm, the unit will run built-in programs to automatically test pan, tilt, zoom, etc. Press the **MENU** button back to the last menu or exit menu mode after auto test.

Manual Test

To select **Manual Test**, press the **ENTER** button to confirm, use the **UP/DOWN** button to select **Mode, Clear, Pan, Tilt, Pan Infinity, Tilt Infinity, RLED1, GLED1, BLED1, WLED1, RLED2,.....WLED5, LEDW1,.....LEDW18, Intensity, Duration, Rate, Effects, Zoom, Strobe or Dimmer**, press the **ENTER** button to confirm, use the **UP/DOWN** button to adjust the value, press the **ENTER** button to store. Press the **MENU** button back to the last menu or let the unit idle 30 seconds to exit menu mode. (The fixture will return to the previous DMX state after exiting Manual Test menu and the Manual Test parameters will be automatically saved after power off and restart.)

Fixture Information

To select **Fixture Information**, press the **ENTER** button to confirm, use the **UP/DOWN** button to select **Fixture Use Hour, LED Use Hour, Temperature, Fan State, Firmware Version, RDM UID or Error Logs**.

Fixture Use Hour

Select **Fixture Use Hour**, press the **ENTER** button to confirm, fixture use hour will show on the display, press the **MENU** button to exit.

LED Use Hour

To select **LED Use Hour**, press the **ENTER** button to confirm, use the **UP/DOWN** button to select **Total LED Hour, LED On Hour or LED Hours Reset**, press the **ENTER** button to store. Use the **UP/DOWN** button to select **LED Hours Reset**, press the **ENTER** button to confirm, use the **UP/DOWN** button to set the password **050** to reset the LED hours, press the **ENTER** button to store. Press the **MENU** button back to the last menu or exit menu mode let the unit idle 30 seconds.

Temperature

Select **Temperature**, press the **ENTER** button to confirm, fixture temperature of LED and PCBA will show on the display, press the **MENU** button to exit.

Fan State

Select **Fan State**, press the **ENTER** button to confirm, fan state will show on the display, press the **MENU** button to exit.

Firmware Version

Select **Firmware Version**, press the **ENTER** button to confirm, firmware version will show on the display, press the **MENU** button back to exit.

RDM UID

Select **RDM UID**, press the **ENTER** button to confirm, RDM UID will show on the display, press the **MENU** button back to exit.

Error Logs

Select **Error Logs**, press the **ENTER** button to confirm. Use the **UP/DOWN** button to select **Fixture Errors** or **Reset Error Log**, press the **ENTER** button to store. Select **Reset Error Log**, press the **ENTER** button to confirm. Use the **UP/DOWN** button to select **No** or **Yes**, press the **ENTER** button to store. Select **Yes**, press the **ENTER** button to confirm. Use the **UP/DOWN** button to set the password **050**, press the **ENTER** button to store. Press the **MENU** button back to the last menu or let the unit idle 30 seconds to exit menu mode.

Reset Function

To select **Reset Function**, press the **ENTER** button to confirm, use the **UP/DOWN** button to select **Pan/Tilt Reset**, **Effect Reset** or **All Reset**.

Pan/Tilt Reset

Select **Pan/Tilt Reset**, press the **ENTER** button to confirm, use the **UP/DOWN** button to select **No**(normal) or **Yes** (the unit will run built-in program to reset pan and tilt to their home positions), press the **ENTER** button to store. Press the **MENU** button to exit.

Effect Reset

Select **Effect Reset**, press the **ENTER** button to confirm, use the **UP/DOWN** button to select **No**(normal) or **Yes** (the unit will run built-in program to reset effect to their home positions), press the **ENTER** button to store. Press the **MENU** button to exit.

All Reset

Select **All Reset**, press the **ENTER** button to confirm, use the **UP/DOWN** button to select **No**(normal) or **Yes** (the unit will run built-in program to reset all motors to their home positions), press **ENTER** button to store. Press the **MENU** button to exit.

Special Function

Factory Restore

Select **Factory Restore**, press the **ENTER** button to confirm, use the **UP/DOWN** button to select **No**(normal) or **Yes** (the fixture will reset to factory settings), press **ENTER** button to store. Press the **MENU** button to exit.

RDM FUNCTIONS

Select the MANUFACTURER menu to display the manufacturer of the fixture.

Select the SOFTWARE VERSION menu and the program version number of the fixture will be displayed.

Select the DMX START ADDRESS menu to change the DMX 512 address (001-512).

Select the DEVICE MODEL DESCRIPTION menu to display the model of the fixture.

Select the DEVICE LABEL menu to change the model of the fixture.

Select the DMX PERSONALITY menu to set the channel mode of the fixture (58/25/23/35+/27/70/55 channel).

Select the DMX PERSONALITY DESCRIPTION menu to display the current channel mode of the fixture.

Select the DEVICE HOURS menu to display the running time of the fixture.

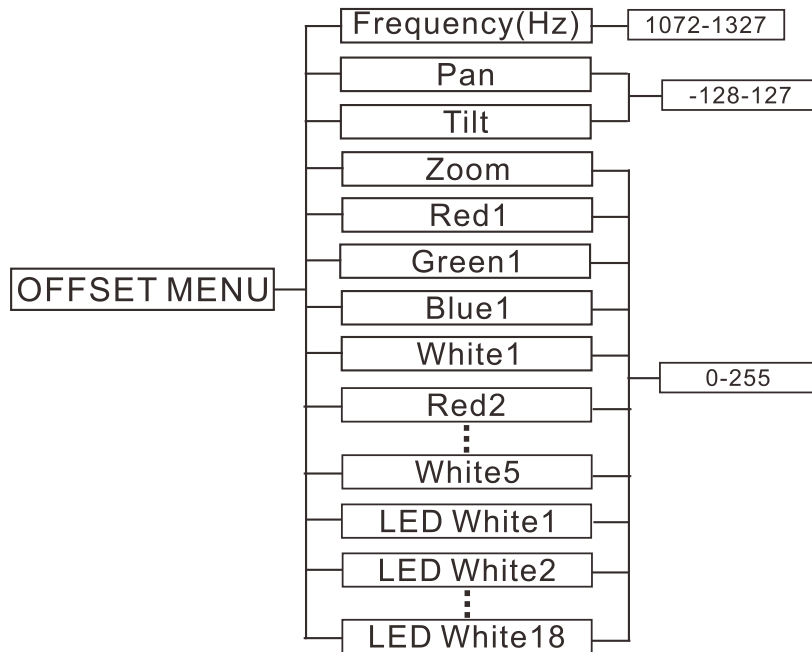
Select the PAN INVERT menu and the fixture will run the pan invert mode.

Select the TILT INVERT menu and the fixture will run the tilt invert mode.

Select the RESET DEVICE menu, the WARM RESET/COLD RESET option will be displayed. When WARM RESET is selected, the fixture will start a warm reset, and exit when COLD RESET is selected.

4.2 Home Position Adjustment

Press the MENU button into menu mode, then press the ENTER button for about 3 seconds into offset mode to adjust the home position. Select the function by pressing the ENTER button. Use the UP/DOWN button to choose the submenu, press the ENTER button to store and automatically return to the last menu. Press MENU button to exit.



Frequency(Hz)

Enter offset mode, Select **Frequency(Hz)**, press the **ENTER** button to confirm, the present position will blink on the display, use the **UP/DOWN** button to offset the value from 1072 to 1327, press the **ENTER** button to store. Press the **MENU** button to exit.

Pan

Enter offset mode, Select **Pan**, press the **ENTER** button to confirm, the present position will blink on the display, use the **UP/DOWN** button to offset the value from -128 to 127, press the **ENTER** button to store. Press the **MENU** button to exit.

Tilt

Enter offset mode, Select **Tilt**, press the **ENTER** button to confirm, the present position will blink on the display, use the **UP/DOWN** button to offset the value from -128 to 127, press the **ENTER** button to store. Press the **MENU** button to exit.

Zoom

Enter offset mode, Select **Zoom**, press the **ENTER** button to confirm, the present position will blink on the display, use the **UP/DOWN** button to offset the value from 0 to 255, press the **ENTER** button to store. Press the **MENU** button to exit.

Red1

Enter offset mode, Select **Red1**, press the **ENTER** button to confirm, the present position will blink on the display, use the **UP/DOWN** button to offset the value from 0 to 255, press the **ENTER** button to store. Press the **MENU** button to exit.

Green1

Enter offset mode, Select **Green1**, press the **ENTER** button to confirm, the present position will blink on the display, use the **UP/DOWN** button to offset the value from 0 to 255, press the **ENTER** button to store. Press the **MENU** button to exit.

Blue1

Enter offset mode, Select **Blue1**, press the **ENTER** button to confirm, the present position will blink on the display, use the **UP/DOWN** button to offset the value from 0 to 255, press the **ENTER** button to store. Press the **MENU** button to exit.

White1

Enter offset mode, Select **White1**, press the **ENTER** button to confirm, the present position will blink on the display, use the **UP/DOWN** button to offset the value from 0 to 255, press the **ENTER** button to store. Press the **MENU** button to exit.

Red2

Enter offset mode, Select **Red2**, press the **ENTER** button to confirm, the present position will blink on the display, use the **UP/DOWN** button to offset the value from 0 to 255, press the **ENTER** button to store. Press the **MENU** button to exit.

.....

White5

Enter offset mode, Select **White5**, press the **ENTER** button to confirm, the present position will blink on the display, use the **UP/DOWN** button to offset the value from 0 to 255, press the **ENTER** button to store. Press the **MENU** button to exit.

LED White1

Enter offset mode, Select **LED White1**, press the **ENTER** button to confirm, the present position will blink on the display, use the **UP/DOWN** button to offset the value from 0 to 255, press the **ENTER** button to store. Press the **MENU** button to exit.

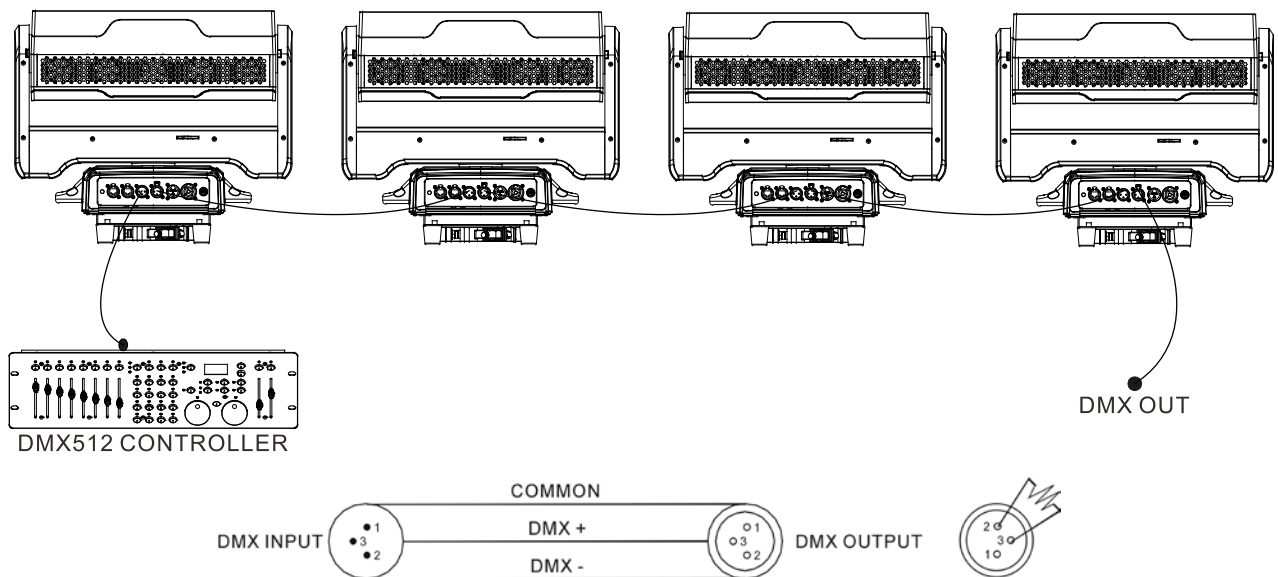
.....

LED White18

Enter offset mode, Select **LED White18**, press the **ENTER** button to confirm, the present position will blink on the display, use the **UP/DOWN** button to offset the value from 0 to 255, press the **ENTER** button to store. Press the **MENU** button to exit.

5. Control By Universal DMX Controller

5.1 DMX512 Connection



1. At last unit, the DMX cable has to be terminated with a terminator. Solder a 120-ohm 1/4W resistor between pin 2(DMX-) and pin 3(DMX+) into a 3-pin XLR-plug and plug it in the DMX-output of the last unit.
2. Connect the unit together in a “daisy chain” by XLR plug cable from the output of the unit to the input of the next unit. The cable can only be used in series and cannot be connected in parallel. DMX 512 is a very high-speed signal. Inadequate or damaged cables, soldered joints or corroded connectors can easily distort the signal and shut down the system.
3. The DMX output and input connectors are pass-through to maintain the DMX circuit, when one of the units’ power is disconnected.
4. Each lighting unit needs to have a DMX address to receive the data by the controller. The address number is between 1-512.
5. The end of the DMX 512 system should be terminated to reduce signal errors.
6. 3 pin XLR connectors are more popular than 5 pins XLR.
3 pin XLR: Pin 1: GND, Pin 2: Negative signal (-), Pin 3: Positive signal (+)
5 pin XLR: Pin 1: GND, Pin 2: Negative signal (-), Pin 3: Positive signal (+), Pin4, Pin5 not used.

5.2 Address Setting

If you use a universal DMX controller to control the units, you have to set DMX address from 1 to 512 so that the units can receive DMX signal.

Press the MENU button to enter menu mode, select DMX Settings, press the ENTER button to confirm, use the UP/DOWN button to select DMX Address, press the ENTER button to confirm, the present address will blink in the display, use the UP/DOWN button to adjust the address from 001 to 512, press the ENTER button to store. Press the MENU button back to the last menu or let the unit idle 30 seconds to exit menu mode.

Please refer to the following diagram to address your DMX512 channel for the first 4 units.

Channel Mode	Unit 1 Address	Unit 2 Address	Unit 3 Address	Unit 4 Address
58 channels	1	59	117	175
25 channels	1	26	51	76
23 channels	1	24	47	70
35+ channel (Controlled by DMX)	1	36	71	106
35+ channel (Controlled by Artnet)	1	21	41	61
27 channels	1	28	55	82
70 channels	1	71	141	211
55 channels	1	56	111	166

5.3 DMX512 Configuration

Please control the fixture by referring to the configurations below

Attentions:

1. The unit will maintain the last condition until reset if you cut-off the DMX signal.
2. For the channel Function, keep the value for about 3 seconds, then the corresponding function will take into effect.

58 Channels (Mode 1):

CHANNEL	VALUE	FUNCTION
1	000-255	PAN 0°→540°
2	000-255	PAN FINE
3	000-255	TILT 0°→450°
4	000-255	TILT FINE
5	000-127 128-189 190-193 194-255	PAN INFINITY Pan Position CCW Rotation, Fast to Slow Stop CW Rotation, Slow to Fast
6	000-127 128-189 190-193 194-255	TILT INFINITY Tilt Position CW Rotation, Fast to Slow Stop CCW Rotation, Slow to Fast
7	000-255	PAN/TILT SPEED Fast to Slow
8	000-255	RED1 0%→100%
9	000-255	GREEN1 0%→100%
10	000-255	BLUE1 0%→100%
11	000-255	WHITE1 0%→100%
12	000-255	RED2 0%→100%
13	000-255	GREEN2 0%→100%
14	000-255	BLUE2 0%→100%
15	000-255	WHITE2 0%→100%
16	000-255	RED3 0%→100%
17	000-255	GREEN3 0%→100%
18	000-255	BLUE3 0%→100%

19	000-255	WHITE3 0%→100%
20	000-255	RED4 0%→100%
21	000-255	GREEN4 0%→100%
22	000-255	BLUE4 0%→100%
23	000-255	WHITE4 0%→100%
24	000-255	RED5 0%→100%
25	000-255	GREEN5 0%→100%
26	000-255	BLUE5 0%→100%
27	000-255	WHITE5 0%→100%
28	000-255	LED WHITE1 0%→100%
29	000-255	LED WHITE2 0%→100%
30	000-255	LED WHITE3 0%→100%
31	000-255	LED WHITE4 0%→100%
32	000-255	LED WHITE5 0%→100%
33	000-255	LED WHITE6 0%→100%
34	000-255	LED WHITE7 0%→100%
35	000-255	LED WHITE8 0%→100%
36	000-255	LED WHITE9 0%→100%
37	000-255	LED WHITE10 0%→100%
38	000-255	LED WHITE11 0%→100%
39	000-255	LED WHITE12 0%→100%
40	000-255	LED WHITE13 0%→100%

41	000-255	LED WHITE14 0%→100%
42	000-255	LED WHITE15 0%→100%
43	000-255	LED WHITE16 0%→100%
44	000-255	LED WHITE17 0%→100%
45	000-255	LED WHITE18 0%→100%
46	000-004 005-009 010-014 015-019 020-024 025-029 030-034 035-039 040-044 045-049 050-054 055-059 060-064 065-069 070-074 075-079 080-084 085-089 090-094 095-099 100-104 105-109 110-114 115-119 120-124 125-129 130-134 135-139 140-144 145-149 150-154 155-159 160-164 165-169 170-174	PIXEL Open Pattern 1 Pattern 2 Pattern 3 Pattern 4 Pattern 5 Pattern 1+2 Pattern 2+3 Pattern 3+4 Pattern 4+5 Pattern 1+3 Pattern 2+4 Pattern 3+5 Pattern 1+4 Pattern 2+5 Pattern 1+2+5 Pattern 1+2+4 Pattern 1+2+3 Pattern 2+3+4 Pattern 3+4+5 Pattern 1+4+5 Pattern 1+2+5 Pattern 1+2+4+5 Pattern 1+2+3+4 Pattern 2+3+4+5 Pattern 1+3+4+5 Pattern 1+2+3+4+5 Built-in Mode1 Built-in Mode2 Built-in Mode3 Built-in Mode4 Built-in Mode5 Built-in Mode6 Built-in Mode7 Built-in Mode8

	175-179 180-184 185-189 190-194 195-199 200-204 205-209 210-214 215-219 220-224 225-229 230-234 235-239 240-244 245-255	Built-in Mode9 Built-in Mode10 Built-in Mode11 Built-in Mode12 Built-in Mode13 Built-in Mode14 Built-in Mode15 Built-in Mode16 Built-in Mode17 Built-in Mode18 Built-in Mode19 Built-in Mode20 Randomly Light Up a Pixel Randomly Light Up two Pixels No Function
47	000-127 128-189 190-193 194-255	PIXEL SPEED No Function Fast to Slow Stop Slow to Fast
48	000-009 010-014 015-019 020-024 025-029 030-034 035-039 040-044 045-049 050-054 055-059 060-064 065-069 070-074 075-079 080-084 085-089 090-094 095-099 100-104 105-109 110-114 115-119 120-124 125-129 130-134	BACKGROUND COLOR Open LEE 790-Moroccan Pink LEE 157-Pink LEE 332-Special Rose Pink LEE 328-Follies Pink LEE 345-Fuchsia Pink LEE 194-Surprise Pink LEE 181-Congo Blue LEE 071-Tokyo Blue LEE 120-Deep Blue LEE 079-Just Blue LEE 132-Medium Blue LEE 200-Double CT Blue LEE 161-State Blue LEE 201-Full CT Blue LEE 202-Half CT Blue LEE 117-Steel Blue LEE 353-Lighter Blue LEE 118-Light Blue LEE 116-Medium Blue Green LEE 124-Dark Green LEE 139-Primary Green LEE 089-Moss Green LEE 122-Fern Green LEE 738-JAS Green LEE 088-Lime Green

	135-139 140-144 145-149 150-154 155-159 160-164 165-169 170-174 175-179 180-201 202-207 208-229 230-234 235-239 240-244 245-249 250-255	LEE 100-Spring Yellow LEE 104-Deep Amber LEE 179-Chrome Orange LEE 105-Orange LEE 021-Gold Amber LEE 778-Millennium Gold LEE 135-Deep Gold Amber LEE 164-Flame Red Open Clockwise Rotation, Fast to Slow Stop Counter-clockwise Rotation, Slow to Fast Open Random Color: Fast Random Color: Medium Random Color: Slow Open
49	000-005 006-255	INTENSITY Blackout Flash Intensity, minimum to maximum
50	000-255	DURATION Flash Duration, minimum to maximum
51	000-005 006-255	RATE No Flash Flash Rate, Slow to Fast
52	000-005 006-050 051-100 101-150 151-200 201-255	EFFECTS No Effect Ramp Up Ramp Down Ramp Up-Down Lightning Random
53	000-255	ZOOM 46°→2.8°
54	000-255	ZOOM FINE
55	000-007 008-015 016-131 132-139 140-181 182-189 190-231 232-239 240-247	STROBE Close Open Strobe, Slow to Fast Open Fast Close Slow Open Open Fast Open Slow Close Open Random Strobe

	248-255	Open
56	000-255	DIMMER 0%→100%
57	000-255	DIMMER FINE
58	000-029 030-039 040-049 050-059 060-069 070-079 080-089 090-099 100-109 110-119 120-139 140-149 150-159 160-199 200-209 210-219 220-229 230-255	FUNCTION No Function Dimmer Curve Linear Dimmer Curve Square Law Dimmer Curve Inv SQ Law Dimmer Curve S No Function No Function No Function Led Frequency Setting Enable Led Frequency Setting Disable No Function Pan/Tilt Reset Zoom Reset No Function All Reset Dimmer Speed: Fast Dimmer Speed: Smooth No Function

25 Channels (Mode 2):

CHANNEL	VALUE	FUNCTION
1	000-255	PAN 0°→540°
2	000-255	PAN FINE
3	000-255	TILT 0°→450°
4	000-255	TILT FINE
5	000-127 128-189 190-193 194-255	PAN INFINITY Pan Position CCW Rotation, Fast to Slow Stop CW Rotation, Slow to Fast
6	000-127 128-189 190-193	TILT INFINITY Tilt Position CW Rotation, Fast to Slow Stop

	194-255	CCW Rotation, Slow to Fast
7	000-255	PAN/TILT SPEED Fast to Slow
8	000-255	RED ALL 0%→100%
9	000-255	GREEN ALL 0%→100%
10	000-255	BLUE ALL 0%→100%
11	000-255	WHITE ALL 0%→100%
12	000 001-004 005-009 010-013 014-018 019-022 023-027 028-031 032-036 037-040 041-045 046-049 050-054 055-058 059-063 064-067 068-072 073-076 077-081 082-085 086-090 091-094 095-099 100-103 104-108 109-112 113-117 118-121 122-126 127-130 131-135 136-139 140-144 145-148	CTO(8000K-2500K) Null 8000K 7900K 7800K 7700K 7600K 7500K 7400K 7300K 7200K 7100K 7000K 6900K 6800K 6700K 6600K 6500K 6400K 6300K 6200K 6100K 6000K 5900K 5800K 5700K 5600K 5500K 5400K 5300K 5200K 5100K 5000K 4900K 4800K

	149-153 154-157 158-162 163-166 167-171 172-175 176-180 181-184 185-189 190-193 194-198 199-202 203-207 208-211 212-216 217-220 221-225 226-229 230-234 235-238 239-243 244-247 248-255	4700K 4600K 4500K 4400K 4300K 4200K 4100K 4000K 3900K 3800K 3700K 3600K 3500K 3400K 3300K 3200K 3100K 3000K 2900K 2800K 2700K 2600K 2500K
13	000-009 010-014 015-019 020-024 025-029 030-034 035-039 040-044 045-049 050-054 055-059 060-064 065-069 070-074 075-079 080-084 085-089 090-094 095-099 100-104 105-109 110-114 115-119	COLOR MACRO Open LEE 790-Moroccan Pink LEE 157-Pink LEE 332-Special Rose Pink LEE 328-Follies Pink LEE 345-Fuchsia Pink LEE 194-Surprise Pink LEE 181-Congo Blue LEE 071-Tokyo Blue LEE 120-Deep Blue LEE 079-Just Blue LEE 132-Medium Blue LEE 200-Double CT Blue LEE 161-State Blue LEE 201-Full CT Blue LEE 202-Half CT Blue LEE 117-Steel Blue LEE 353-Lighter Blue LEE 118-Light Blue LEE 116-Medium Blue Green LEE 124-Dark Green LEE 139-Primary Green LEE 089-Moss Green

	120-124 125-129 130-134 135-139 140-144 145-149 150-154 155-159 160-164 165-169 170-174 175-179 180-201 202-207 208-229 230-234 235-239 240-244 245-249 250-255	LEE 122-Fern Green LEE 738-JAS Green LEE 088-Lime Green LEE 100-Spring Yellow LEE 104-Deep Amber LEE 179-Chrome Orange LEE 105-Orange LEE 021-Gold Amber LEE 778-Millennium Gold LEE 135-Deep Gold Amber LEE 164-Flame Red Open Clockwise Rotation, Fast to Slow Stop Counter-clockwise Rotation, Slow to Fast Open Random Color: Fast Random Color: Medium Random Color: Slow Open
14	000-004 005-009 010-014 015-019 020-024 025-029 030-034 035-039 040-044 045-049 050-054 055-059 060-064 065-069 070-074 075-079 080-084 085-089 090-094 095-099 100-104 105-109 110-114 115-119 120-124 125-129	PIXEL Open Pattern 1 Pattern 2 Pattern 3 Pattern 4 Pattern 5 Pattern 1+2 Pattern 2+3 Pattern 3+4 Pattern 4+5 Pattern 1+3 Pattern 2+4 Pattern 3+5 Pattern 1+4 Pattern 2+5 Pattern 1+2+5 Pattern 1+2+4 Pattern 1+2+3 Pattern 2+3+4 Pattern 3+4+5 Pattern 1+4+5 Pattern 1+2+5 Pattern 1+2+4+5 Pattern 1+2+3+4 Pattern 2+3+4+5 Pattern 1+3+4+5

	130-134 135-139 140-144 145-149 150-154 155-159 160-164 165-169 170-174 175-179 180-184 185-189 190-194 195-199 200-204 205-209 210-214 215-219 220-224 225-229 230-234 235-239 240-244 245-255	Pattern 1+2+3+4+5 Built-in Mode1 Built-in Mode2 Built-in Mode3 Built-in Mode4 Built-in Mode5 Built-in Mode6 Built-in Mode7 Built-in Mode8 Built-in Mode9 Built-in Mode10 Built-in Mode11 Built-in Mode12 Built-in Mode13 Built-in Mode14 Built-in Mode15 Built-in Mode16 Built-in Mode17 Built-in Mode18 Built-in Mode19 Built-in Mode20 Randomly Light Up a Pixel Randomly Light Up two Pixels No Function
15	000-127 128-189 190-193 194-255	PIXEL SPEED No Function Fast to Slow Stop Slow to Fast
16	000-005 006-255	INTENSITY Blackout Flash Intensity, minimum to maximum
17	000-255	DURATION Flash Duration, minimum to maximum
18	000-005 006-255	RATE No Flash Flash Rate, Slow to Fast
19	000-005 006-050 051-100 101-150 151-200 201-255	EFFECTS No Effect Ramp Up Ramp Down Ramp Up-Down Lightning Random
20	000-255	ZOOM 46°→2.8°

21	000-255	ZOOM FINE
22	000-007 008-015 016-131 132-139 140-181 182-189 190-231 232-239 240-247 248-255	STROBE Close Open Strobe, Slow to Fast Open Fast Close Slow Open Open Fast Open Slow Close Open Random Strobe Open
23	000-255	DIMMER 0%→100%
24	000-255	DIMMER FINE
25	000-029 030-039 040-049 050-059 060-069 070-079 080-089 090-099 100-109 110-119 120-139 140-149 150-159 160-199 200-209 210-219 220-229 230-255	FUNCTION No Function Dimmer Curve Linear Dimmer Curve Square Law Dimmer Curve Inv SQ Law Dimmer Curve S No Function No Function No Function Led Frequency Setting Enable Led Frequency Setting Disable No Function Pan/Tilt Reset Zoom Reset No Function All Reset Dimmer Speed: Fast Dimmer Speed: Smooth No Function

23 Channels (Mode 3):

CHANNEL	VALUE	FUNCTION
1	000-255	PAN 0°→540°
2	000-255	PAN FINE
3		TILT

	000-255	0°→450°
4	000-255	TILT FINE
5	000-127 128-189 190-193 194-255	PAN INFINITY Pan Position CCW Rotation, Fast to Slow Stop CW Rotation, Slow to Fast
6	000-127 128-189 190-193 194-255	TILT INFINITY Tilt Position CW Rotation, Fast to Slow Stop CCW Rotation, Slow to Fast
7	000-255	PAN/TILT SPEED Fast to Slow
8	000-255	RED ALL 0%→100%
9	000-255	GREEN ALL 0%→100%
10	000-255	BLUE ALL 0%→100%
11	000-255	WHITE ALL 0%→100%
12	000 001-004 005-009 010-013 014-018 019-022 023-027 028-031 032-036 037-040 041-045 046-049 050-054 055-058 059-063 064-067 068-072 073-076 077-081 082-085 086-090 091-094	CTO(8000K-2500K) Null 8000K 7900K 7800K 7700K 7600K 7500K 7400K 7300K 7200K 7100K 7000K 6900K 6800K 6700K 6600K 6500K 6400K 6300K 6200K 6100K 6000K

	095-099 100-103 104-108 109-112 113-117 118-121 122-126 127-130 131-135 136-139 140-144 145-148 149-153 154-157 158-162 163-166 167-171 172-175 176-180 181-184 185-189 190-193 194-198 199-202 203-207 208-211 212-216 217-220 221-225 226-229 230-234 235-238 239-243 244-247 248-255	5900K 5800K 5700K 5600K 5500K 5400K 5300K 5200K 5100K 5000K 4900K 4800K 4700K 4600K 4500K 4400K 4300K 4200K 4100K 4000K 3900K 3800K 3700K 3600K 3500K 3400K 3300K 3200K 3100K 3000K 2900K 2800K 2700K 2600K 2500K
13	000-009 010-014 015-019 020-024 025-029 030-034 035-039 040-044 045-049 050-054 055-059	COLOR MACRO Open LEE 790-Moroccan Pink LEE 157-Pink LEE 332-Special Rose Pink LEE 328-Follies Pink LEE 345-Fuchsia Pink LEE 194-Surprise Pink LEE 181-Congo Blue LEE 071-Tokyo Blue LEE 120-Deep Blue LEE 079-Just Blue

	060-064 065-069 070-074 075-079 080-084 085-089 090-094 095-099 100-104 105-109 110-114 115-119 120-124 125-129 130-134 135-139 140-144 145-149 150-154 155-159 160-164 165-169 170-174 175-179 180-201 202-207 208-229 230-234 235-239 240-244 245-249 250-255	LEE 132-Medium Blue LEE 200-Double CT Blue LEE 161-State Blue LEE 201-Full CT Blue LEE 202-Half CT Blue LEE 117-Steel Blue LEE 353-Lighter Blue LEE 118-Light Blue LEE 116-Medium Blue Green LEE 124-Dark Green LEE 139-Primary Green LEE 089-Moss Green LEE 122-Fern Green LEE 738-JAS Green LEE 088-Lime Green LEE 100-Spring Yellow LEE 104-Deep Amber LEE 179-Chrome Orange LEE 105-Orange LEE 021-Gold Amber LEE 778-Millennium Gold LEE 135-Deep Gold Amber LEE 164-Flame Red Open Clockwise Rotation, Fast to Slow Stop Counter-clockwise Rotation, Slow to Fast Open Random Color: Fast Random Color: Medium Random Color: Slow Open
14	000-255	ZOOM 46°→2.8°
15	000-255	ZOOM FINE
16	000-007 008-015 016-131 132-139 140-181 182-189 190-231 232-239 240-247 248-255	STROBE Close Open Strobe, Slow to Fast Open Fast Close Slow Open Open Fast Open Slow Close Open Random Strobe Open

17	000-255	DIMMER 0%→100%
18	000-255	DIMMER FINE
19	000-005 006-255	INTENSITY Blackout Flash Intensity, minimum to maximum
20	000-255	DURATION Flash Duration, minimum to maximum
21	000-005 006-255	RATE No Flash Flash Rate, Slow to Fast
22	000-005 006-050 051-100 101-150 151-200 201-255	EFFECTS No Effect Ramp Up Ramp Down Ramp Up-Down Lightning Random
23	000-029 030-039 040-049 050-059 060-069 070-079 080-089 090-099 100-109 110-119 120-139 140-149 150-159 160-199 200-209 210-219 220-229 230-255	FUNCTION No Function Dimmer Curve Linear Dimmer Curve Square Law Dimmer Curve Inv SQ Law Dimmer Curve S No Function No Function No Function Led Frequency Setting Enable Led Frequency Setting Disable No Function Pan/Tilt Reset Zoom Reset No Function All Reset Dimmer Speed: Fast Dimmer Speed: Smooth No Function

35+ Channels Mode (Controlled by DMX):

CHANNEL	VALUE	FUNCTION
1	000-255	PAN 0°→540°
2	000-255	PAN FINE
3	000-255	TILT 0°→450°
4	000-255	TILT FINE
5	000-127 128-189 190-193 194-255	PAN INFINITY Pan Position CCW Rotation, Fast to Slow Stop CW Rotation, Slow to Fast
6	000-127 128-189 190-193 194-255	TILT INFINITY Tilt Position CW Rotation, Fast to Slow Stop CCW Rotation, Slow to Fast
7	000-255	PAN/TILT SPEED Fast to Slow
8	000-255	LED WHITE1 0%→100%
9	000-255	LED WHITE2 0%→100%
10	000-255	LED WHITE3 0%→100%
11	000-255	LED WHITE4 0%→100%
12	000-255	LED WHITE5 0%→100%
13	000-255	LED WHITE6 0%→100%
14	000-255	LED WHITE7 0%→100%
15	000-255	LED WHITE8 0%→100%
16	000-255	LED WHITE9 0%→100%
17	000-255	LED WHITE10 0%→100%
18	000-255	LED WHITE11 0%→100%

19	000-255	LED WHITE12 0%→100%
20	000-255	LED WHITE13 0%→100%
21	000-255	LED WHITE14 0%→100%
22	000-255	LED WHITE15 0%→100%
23	000-255	LED WHITE16 0%→100%
24	000-255	LED WHITE17 0%→100%
25	000-255	LED WHITE18 0%→100%
26	000-005 006-255	INTENSITY Blackout Flash Intensity, minimum to maximum
27	000-255	DURATION Flash Duration, minimum to maximum
28	000-005 006-255	RATE No Flash Flash Rate, Slow to Fast
29	000-005 006-050 051-100 101-150 151-200 201-255	EFFECTS No Effect Ramp Up Ramp Down Ramp Up-Down Lightning Random
30	000-255	ZOOM 46°→2.8°
31	000-255	ZOOM FINE
32	000-007 008-015 016-131 132-139 140-181 182-189 190-231 232-239 240-247 248-255	STROBE Close Open Strobe, Slow to Fast Open Fast Close Slow Open Open Fast Open Slow Close Open Random Strobe Open
33		DIMMER

	000-255	0%→100%
34	000-255	DIMMER FINE
35	000-029	FUNCTION No Function
	030-039	Dimmer Curve Linear
	040-049	Dimmer Curve Square Law
	050-059	Dimmer Curve Inv SQ Law
	060-069	Dimmer Curve S
	070-079	No Function
	080-089	No Function
	090-099	No Function
	100-109	Led Frequency Setting Enable
	110-119	Led Frequency Setting Disable
	120-139	No Function
	140-149	Pan/Tilt Reset
	150-159	Zoom Reset
	160-199	No Function
	200-209	All Reset
210-219	Dimmer Speed: Fast	
220-229	Dimmer Speed: Smooth	
230-255	No Function	

35+ Channels Mode (Controlled by Artnet):

CHANNEL	VALUE	FUNCTION
1	000-255	RED1 0%→100%
2	000-255	GREEN1 0%→100%
3	000-255	BLUE1 0%→100%
4	000-255	WHITE1 0%→100%
5	000-255	RED2 0%→100%
6	000-255	GREEN2 0%→100%
7	000-255	BLUE2 0%→100%
8	000-255	WHITE2 0%→100%
9		RED3

	000-255	0%→100%
10	000-255	GREEN3 0%→100%
11	000-255	BLUE3 0%→100%
12	000-255	WHITE3 0%→100%
13	000-255	RED4 0%→100%
14	000-255	GREEN4 0%→100%
15	000-255	BLUE4 0%→100%
16	000-255	WHITE4 0%→100%
17	000-255	RED5 0%→100%
18	000-255	GREEN5 0%→100%
19	000-255	BLUE5 0%→100%
20	000-255	WHITE5 0%→100%

27 Channels (Mode 5):

CHANNEL	VALUE	FUNCTION
1	000-255	PAN 0°→540°
2	000-255	PAN FINE
3	000-255	TILT 0°→450°
4	000-255	TILT FINE
5	000-127 128-189 190-193 194-255	PAN INFINITY Pan Position CCW Rotation, Fast to Slow Stop CW Rotation, Slow to Fast
6	000-127 128-189 190-193	TILT INFINITY Tilt Position CW Rotation, Fast to Slow Stop

	194-255	CCW Rotation, Slow to Fast
7	000-255	PAN/TILT SPEED Fast to Slow
8	000-255	RED ALL 0%→100%
9	000-255	GREEN ALL 0%→100%
10	000-255	BLUE ALL 0%→100%
11	000-255	WHITE ALL 0%→100%
12	000 001-004 005-009 010-013 014-018 019-022 023-027 028-031 032-036 037-040 041-045 046-049 050-054 055-058 059-063 064-067 068-072 073-076 077-081 082-085 086-090 091-094 095-099 100-103 104-108 109-112 113-117 118-121 122-126 127-130 131-135 136-139 140-144 145-148	CTO(8000K-2500K) Null 8000K 7900K 7800K 7700K 7600K 7500K 7400K 7300K 7200K 7100K 7000K 6900K 6800K 6700K 6600K 6500K 6400K 6300K 6200K 6100K 6000K 5900K 5800K 5700K 5600K 5500K 5400K 5300K 5200K 5100K 5000K 4900K 4800K

	149-153 154-157 158-162 163-166 167-171 172-175 176-180 181-184 185-189 190-193 194-198 199-202 203-207 208-211 212-216 217-220 221-225 226-229 230-234 235-238 239-243 244-247 248-255	4700K 4600K 4500K 4400K 4300K 4200K 4100K 4000K 3900K 3800K 3700K 3600K 3500K 3400K 3300K 3200K 3100K 3000K 2900K 2800K 2700K 2600K 2500K
13	000-009 010-014 015-019 020-024 025-029 030-034 035-039 040-044 045-049 050-054 055-059 060-064 065-069 070-074 075-079 080-084 085-089 090-094 095-099 100-104 105-109 110-114 115-119	COLOR MACRO Open LEE 790-Moroccan Pink LEE 157-Pink LEE 332-Special Rose Pink LEE 328-Follies Pink LEE 345-Fuchsia Pink LEE 194-Surprise Pink LEE 181-Congo Blue LEE 071-Tokyo Blue LEE 120-Deep Blue LEE 079-Just Blue LEE 132-Medium Blue LEE 200-Double CT Blue LEE 161-State Blue LEE 201-Full CT Blue LEE 202-Half CT Blue LEE 117-Steel Blue LEE 353-Lighter Blue LEE 118-Light Blue LEE 116-Medium Blue Green LEE 124-Dark Green LEE 139-Primary Green LEE 089-Moss Green

	120-124 125-129 130-134 135-139 140-144 145-149 150-154 155-159 160-164 165-169 170-174 175-179 180-201 202-207 208-229 230-234 235-239 240-244 245-249 250-255	LEE 122-Fern Green LEE 738-JAS Green LEE 088-Lime Green LEE 100-Spring Yellow LEE 104-Deep Amber LEE 179-Chrome Orange LEE 105-Orange LEE 021-Gold Amber LEE 778-Millennium Gold LEE 135-Deep Gold Amber LEE 164-Flame Red Open Clockwise Rotation, Fast to Slow Stop Counter-clockwise Rotation, Slow to Fast Open Random Color: Fast Random Color: Medium Random Color: Slow Open
14	000-004 005-009 010-014 015-019 020-024 025-029 030-034 035-039 040-044 045-049 050-054 055-059 060-064 065-069 070-074 075-079 080-084 085-089 090-094 095-099 100-104 105-109 110-114 115-119 120-124 125-129	PIXEL Open Pattern 1 Pattern 2 Pattern 3 Pattern 4 Pattern 5 Pattern 1+2 Pattern 2+3 Pattern 3+4 Pattern 4+5 Pattern 1+3 Pattern 2+4 Pattern 3+5 Pattern 1+4 Pattern 2+5 Pattern 1+2+5 Pattern 1+2+4 Pattern 1+2+3 Pattern 2+3+4 Pattern 3+4+5 Pattern 1+4+5 Pattern 1+2+5 Pattern 1+2+4+5 Pattern 1+2+3+4 Pattern 2+3+4+5 Pattern 1+3+4+5

	130-134 135-139 140-144 145-149 150-154 155-159 160-164 165-169 170-174 175-179 180-184 185-189 190-194 195-199 200-204 205-209 210-214 215-219 220-224 225-229 230-234 235-239 240-244 245-255	Pattern 1+2+3+4+5 Built-in Mode1 Built-in Mode2 Built-in Mode3 Built-in Mode4 Built-in Mode5 Built-in Mode6 Built-in Mode7 Built-in Mode8 Built-in Mode9 Built-in Mode10 Built-in Mode11 Built-in Mode12 Built-in Mode13 Built-in Mode14 Built-in Mode15 Built-in Mode16 Built-in Mode17 Built-in Mode18 Built-in Mode19 Built-in Mode20 Randomly Light Up a Pixel Randomly Light Up two Pixels No Function
15	000-127 128-189 190-193 194-255	PIXEL SPEED No Function Fast to Slow Stop Slow to Fast
16	000-005 006-255	INTENSITY Blackout Flash Intensity, minimum to maximum
17	000-255	DURATION Flash Duration, minimum to maximum
18	000-005 006-255	RATE No Flash Flash Rate, Slow to Fast
19	000-005 006-050 051-100 101-150 151-200 201-255	EFFECTS 1 No Effect Ramp Up Ramp Down Ramp Up-Down Lightning Random
20	000-004	EFFECTS 2 No Function

	005-009	Show 1
	010-014	Show 2
	015-019	Show 3
	020-024	Show 4
	025-029	Show 5
	030-034	Show 6
	035-039	Show 7
	040-044	Show 8
	045-049	Show 9
	050-054	Show 10
	055-059	Show 11
	060-064	Show 12
	065-069	Show 13
	070-074	Show 14
	075-079	Show 15
	080-084	Show 16
	085-089	Show 17
	090-094	Show 18
	095-099	Show 19
	100-104	Show 20
	105-109	Show 21
	110-114	Show 22
	115-119	Show 23
	120-124	Show 24
	125-129	Show 25
	130-134	Show 26
	135-139	Show 27
	140-144	Show 28
	145-149	Show 29
	150-154	Show 30
	155-159	Show 31
	160-164	Show 32
	165-169	Show 33
	170-174	Show 34
	175-179	Show 35
	180-184	Show 36
	185-189	Show 37
	190-194	Show 38
	195-199	Show 39
	200-204	Show 40
	205-209	Show 41
	210-214	Show 42
	215-219	Show 43
	220-224	Show 44
	225-229	Show 45
	230-234	Show 46
	235-239	Randomly Light Up a Pixel

	240-244 245-255	Randomly Light Up two Pixels No Function
21	000-127 128-189 190-193 194-255	PIXEL SPEED No Function Fast to Slow Stop Slow to Fast
22	000-255	ZOOM 46°→2.8°
23	000-255	ZOOM FINE
24	000-007 008-015 016-131 132-139 140-181 182-189 190-231 232-239 240-247 248-255	STROBE Close Open Strobe, Slow to Fast Open Fast Close Slow Open Open Fast Open Slow Close Open Random Strobe Open
25	000-255	DIMMER 0%→100%
26	000-255	DIMMER FINE
27	000-029 030-039 040-049 050-059 060-069 070-079 080-089 090-099 100-109 110-119 120-139 140-149 150-159 160-199 200-209 210-219 220-229 230-255	FUNCTION No Function Dimmer Curve Linear Dimmer Curve Square Law Dimmer Curve Inv SQ Law Dimmer Curve S No Function No Function No Function Led Frequency Setting Enable Led Frequency Setting Disable No Function Pan/Tilt Reset Zoom Reset No Function All Reset Dimmer Speed: Fast Dimmer Speed: Smooth No Function

70 Channels (Mode 6):

CHANNEL	VALUE	FUNCTION
1	000-255	PAN 0°→540°
2	000-255	PAN FINE
3	000-255	TILT 0°→450°
4	000-255	TILT FINE
5	000-127 128-189 190-193 194-255	PAN INFINITY Pan Position CCW Rotation, Fast to Slow Stop CW Rotation, Slow to Fast
6	000-127 128-189 190-193 194-255	TILT INFINITY Tilt Position CW Rotation, Fast to Slow Stop CCW Rotation, Slow to Fast
7	000-255	PAN/TILT SPEED Fast to Slow
8	000-255	RED1 0%→100%
9	000-255	GREEN1 0%→100%
10	000-255	BLUE1 0%→100%
11	000-255	WHITE1 0%→100%
12	000-007 008-015 016-131 132-139 140-181 182-189 190-231 232-239 240-247 248-255	STROBE1 Close Open Strobe, Slow to Fast Open Fast Close Slow Open Open Fast Open Slow Close Open Random Strobe Open
13	000-255	DIMMER1 0%→100%
14	000-255	DIMMER FINE1

15	000-255	RED2 0%→100%
16	000-255	GREEN2 0%→100%
17	000-255	BLUE2 0%→100%
18	000-255	WHITE2 0%→100%
19	000-007 008-015 016-131 132-139 140-181 182-189 190-231 232-239 240-247 248-255	STROBE2 Close Open Strobe, Slow to Fast Open Fast Close Slow Open Open Fast Open Slow Close Open Random Strobe Open
20	000-255	DIMMER2 0%→100%
21	000-255	DIMMER FINE2
22	000-255	RED3 0%→100%
23	000-255	GREEN3 0%→100%
24	000-255	BLUE3 0%→100%
25	000-255	WHITE3 0%→100%
26	000-007 008-015 016-131 132-139 140-181 182-189 190-231 232-239 240-247 248-255	STROBE3 Close Open Strobe, Slow to Fast Open Fast Close Slow Open Open Fast Open Slow Close Open Random Strobe Open
27	000-255	DIMMER3 0%→100%
28	000-255	DIMMER FINE3

29	000-255	RED4 0%→100%
30	000-255	GREEN4 0%→100%
31	000-255	BLUE4 0%→100%
32	000-255	WHITE4 0%→100%
33	000-007 008-015 016-131 132-139 140-181 182-189 190-231 232-239 240-247 248-255	STROBE4 Close Open Strobe, Slow to Fast Open Fast Close Slow Open Open Fast Open Slow Close Open Random Strobe Open
34	000-255	DIMMER4 0%→100%
35	000-255	DIMMER FINE4
36	000-255	RED5 0%→100%
37	000-255	GREEN5 0%→100%
38	000-255	BLUE5 0%→100%
39	000-255	WHITE5 0%→100%
40	000-007 008-015 016-131 132-139 140-181 182-189 190-231 232-239 240-247 248-255	STROBE5 Close Open Strobe, Slow to Fast Open Fast Close Slow Open Open Fast Open Slow Close Open Random Strobe Open
41	000-255	DIMMER5 0%→100%
42	000-255	DIMMER FINE5

43	000-255	LED WHITE1 0%→100%
44	000-255	LED WHITE2 0%→100%
45	000-255	LED WHITE3 0%→100%
46	000-255	LED WHITE4 0%→100%
47	000-255	LED WHITE5 0%→100%
48	000-255	LED WHITE6 0%→100%
49	000-255	LED WHITE7 0%→100%
50	000-255	LED WHITE8 0%→100%
51	000-255	LED WHITE9 0%→100%
52	000-255	LED WHITE10 0%→100%
53	000-255	LED WHITE11 0%→100%
54	000-255	LED WHITE12 0%→100%
55	000-255	LED WHITE13 0%→100%
56	000-255	LED WHITE14 0%→100%
57	000-255	LED WHITE15 0%→100%
58	000-255	LED WHITE16 0%→100%
59	000-255	LED WHITE17 0%→100%
60	000-255	LED WHITE18 0%→100%
61	000-004 005-009 010-014 015-019 020-024 025-029 030-034	PIXEL Open Pattern 1 Pattern 2 Pattern 3 Pattern 4 Pattern 5 Pattern 1+2

	035-039 040-044 045-049 050-054 055-059 060-064 065-069 070-074 075-079 080-084 085-089 090-094 095-099 100-104 105-109 110-114 115-119 120-124 125-129 130-134 135-139 140-144 145-149 150-154 155-159 160-164 165-169 170-174 175-179 180-184 185-189 190-194 195-199 200-204 205-209 210-214 215-219 220-224 225-229 230-234 235-239 240-244 245-255	Pattern 2+3 Pattern 3+4 Pattern 4+5 Pattern 1+3 Pattern 2+4 Pattern 3+5 Pattern 1+4 Pattern 2+5 Pattern 1+2+5 Pattern 1+2+4 Pattern 1+2+3 Pattern 2+3+4 Pattern 3+4+5 Pattern 1+4+5 Pattern 1+2+5 Pattern 1+2+4+5 Pattern 1+2+3+4 Pattern 2+3+4+5 Pattern 1+3+4+5 Pattern 1+2+3+4+5 Built-in Mode1 Built-in Mode2 Built-in Mode3 Built-in Mode4 Built-in Mode5 Built-in Mode6 Built-in Mode7 Built-in Mode8 Built-in Mode9 Built-in Mode10 Built-in Mode11 Built-in Mode12 Built-in Mode13 Built-in Mode14 Built-in Mode15 Built-in Mode16 Built-in Mode17 Built-in Mode18 Built-in Mode19 Built-in Mode20 Randomly Light Up a Pixel Randomly Light Up two Pixels No Function
62	000-127 128-189 190-193	PIXEL SPEED No Function Fast to Slow Stop

	194-255	Slow to Fast
63		BACKGROUND COLOR
	000-009	Open
	010-014	LEE 790-Moroccan Pink
	015-019	LEE 157-Pink
	020-024	LEE 332-Special Rose Pink
	025-029	LEE 328-Follies Pink
	030-034	LEE 345-Fuchsia Pink
	035-039	LEE 194-Surprise Pink
	040-044	LEE 181-Congo Blue
	045-049	LEE 071-Tokyo Blue
	050-054	LEE 120-Deep Blue
	055-059	LEE 079-Just Blue
	060-064	LEE 132-Medium Blue
	065-069	LEE 200-Double CT Blue
	070-074	LEE 161-State Blue
	075-079	LEE 201-Full CT Blue
	080-084	LEE 202-Half CT Blue
	085-089	LEE 117-Steel Blue
	090-094	LEE 353-Lighter Blue
	095-099	LEE 118-Light Blue
	100-104	LEE 116-Medium Blue Green
	105-109	LEE 124-Dark Green
	110-114	LEE 139-Primary Green
	115-119	LEE 089-Moss Green
	120-124	LEE 122-Fern Green
	125-129	LEE 738-JAS Green
	130-134	LEE 088-Lime Green
	135-139	LEE 100-Spring Yellow
	140-144	LEE 104-Deep Amber
	145-149	LEE 179-Chrome Orange
	150-154	LEE 105-Orange
	155-159	LEE 021-Gold Amber
160-164	LEE 778-Millennium Gold	
165-169	LEE 135-Deep Gold Amber	
170-174	LEE 164-Flame Red	
175-179	Open	
180-201	Clockwise Rotation, Fast to Slow	
202-207	Stop	
208-229	Counter-clockwise Rotation, Slow to Fast	
230-234	Open	
235-239	Random Color: Fast	
240-244	Random Color: Medium	
245-249	Random Color: Slow	
250-255	Open	
64		INTENSITY

	000-005 006-255	Blackout Flash Intensity, minimum to maximum
65	000-255	DURATION Flash Duration, minimum to maximum
66	000-005 006-255	RATE No Flash Flash Rate, Slow to Fast
67	000-005 006-050 051-100 101-150 151-200 201-255	EFFECTS No Effect Ramp Up Ramp Down Ramp Up-Down Lightning Random
68	000-255	ZOOM 46°→2.8°
69	000-255	ZOOM FINE
70	000-029 030-039 040-049 050-059 060-069 070-079 080-089 090-099 100-109 110-119 120-139 140-149 150-159 160-199 200-209 210-219 220-229 230-255	FUNCTION No Function Dimmer Curve Linear Dimmer Curve Square Law Dimmer Curve Inv SQ Law Dimmer Curve S No Function No Function No Function Led Frequency Setting Enable Led Frequency Setting Disable No Function Pan/Tilt Reset Zoom Reset No Function All Reset Dimmer Speed: Fast Dimmer Speed: Smooth No Function

55 Channels (Mode 7):

CHANNEL	VALUE	FUNCTION
1	000-255	PAN 0°→540°
2	000-255	PAN FINE
3	000-255	TILT 0°→450°
4	000-255	TILT FINE
5	000-127 128-189 190-193 194-255	PAN INFINITY Pan Position CCW Rotation, Fast to Slow Stop CW Rotation, Slow to Fast
6	000-127 128-189 190-193 194-255	TILT INFINITY Tilt Position CW Rotation, Fast to Slow Stop CCW Rotation, Slow to Fast
7	000-255	PAN/TILT SPEED Fast to Slow
8	000-255	RED1 0%→100%
9	000-255	GREEN1 0%→100%
10	000-255	BLUE1 0%→100%
11	000-255	WHITE1 0%→100%
12	000-255	RED2 0%→100%
13	000-255	GREEN2 0%→100%
14	000-255	BLUE2 0%→100%
15	000-255	WHITE2 0%→100%
16	000-255	RED3 0%→100%
17	000-255	GREEN3 0%→100%
18	000-255	BLUE3 0%→100%

19	000-255	WHITE3 0%→100%
20	000-255	RED4 0%→100%
21	000-255	GREEN4 0%→100%
22	000-255	BLUE4 0%→100%
23	000-255	WHITE4 0%→100%
24	000-255	RED5 0%→100%
25	000-255	GREEN5 0%→100%
26	000-255	BLUE5 0%→100%
27	000-255	WHITE5 0%→100%
28	000-255	LED WHITE1 0%→100%
29	000-255	LED WHITE2 0%→100%
30	000-255	LED WHITE3 0%→100%
31	000-255	LED WHITE4 0%→100%
32	000-255	LED WHITE5 0%→100%
33	000-255	LED WHITE6 0%→100%
34	000-255	LED WHITE7 0%→100%
35	000-255	LED WHITE8 0%→100%
36	000-255	LED WHITE9 0%→100%
37	000-255	LED WHITE10 0%→100%
38	000-255	LED WHITE11 0%→100%
39	000-255	LED WHITE12 0%→100%
40	000-255	LED WHITE13 0%→100%

41	000-255	LED WHITE14 0%→100%
42	000-255	LED WHITE15 0%→100%
43	000-255	LED WHITE16 0%→100%
44	000-255	LED WHITE17 0%→100%
45	000-255	LED WHITE18 0%→100%
46	000-005 006-255	INTENSITY Blackout Flash Intensity, minimum to maximum
47	000-255	DURATION Flash Duration, minimum to maximum
48	000-005 006-255	RATE No Flash Flash Rate, Slow to Fast
49	000-005 006-050 051-100 101-150 151-200 201-255	EFFECTS No Effect Ramp Up Ramp Down Ramp Up-Down Lightning Random
50	000-255	ZOOM 46°→2.8°
51	000-255	ZOOM FINE
52	000-007 008-015 016-131 132-139 140-181 182-189 190-231 232-239 240-247 248-255	STROBE Close Open Strobe, Slow to Fast Open Fast Close Slow Open Open Fast Open Slow Close Open Random Strobe Open
53	000-255	DIMMER 0%→100%
54	000-255	DIMMER FINE
55	000-029	FUNCTION No Function

	030-039	Dimmer Curve Linear
	040-049	Dimmer Curve Square Law
	050-059	Dimmer Curve Inv SQ Law
	060-069	Dimmer Curve S
	070-079	No Function
	080-089	No Function
	090-099	No Function
	100-109	Led Frequency Setting Enable
	110-119	Led Frequency Setting Disable
	120-139	No Function
	140-149	Pan/Tilt Reset
	150-159	Zoom Reset
	160-199	No Function
	200-209	All Reset
	210-219	Dimmer Speed: Fast
	220-229	Dimmer Speed: Smooth
	230-255	No Function

6. Error Information

Error codes are shown continuously in the display when the fixture fails and they will not disappear until the fixture is repaired.

1. CPU-B/C/D Error

Check whether the 485 (DATA) leads on the PCB board are installed in place or disconnected.

Check whether the related 485 (DATA) signal circuit on the PCB board is damaged.

2. Pan Reset Error

Check whether the position of the pan where the magnet is installed falls off or is damaged.

Check whether there are obstacles in the pan operating range.

Check whether the Hall element on the pan is damaged.

Check whether the lead connecting the Hall element on the pan and the PCB board is in poor contact or disconnected.

Check whether the motor on the pan is damaged.

Check whether the related circuit of the motor drive board on the pan is damaged.

3. Pan Encode Error

Check whether the encoder on the pan is damaged.

Check whether the lead connecting the encoder on the pan and the PCB board is in poor contact or disconnected.

4. Tilt Reset Error

Check whether the position of the tilt where the magnet is installed falls off or is damaged.

Check whether there are obstacles in the tilt operating range.

Check whether the Hall element on the tilt is damaged.

Check whether the lead connecting the Hall element on the tilt and the PCB board is in poor contact or disconnected.

Check whether the motor on the tilt is damaged.

Check whether the related circuit of the motor drive board on the tilt is damage.

5. Tilt Encode Error

Check whether the encoder on the tilt is damaged.

Check whether the lead connecting the encoder on the tilt and the PCB board is in poor contact or disconnected.

6. Zoom Reset Error

Check whether the position of the zoom where the magnet is installed falls off or is damaged.

Check whether there are obstacles in the zoom operating range.

Check whether the Hall element on the zoom is damaged.

Check whether the lead connecting the Hall element on the zoom and the PCB board is in poor contact or disconnected.

Check whether the motor on the zoom is damaged.

Check whether the related circuit of the motor drive board on the zoom is damage.

7. LED Temp.1/2 Error

Check whether the temperature detecting board is normal.

Check whether the components of the temperature detecting board are damaged.

Check whether the lead on the temperature detecting board is installed in place or disconnected.

8. BaseFan1/2 Start Error

Check whether the fan is not running.

Check whether the fan leads are installed in place or disconnected.

Check whether the fan is damaged.

Check whether there are obstacles in the fan operating range.

9. BaseFan1/2 Stop Error

Check whether the fan circuit on the motherboard breaks down.

Check whether the component is damaged.

10. BaseFan1/2 Too Slow

Check whether the fan is out of order.

Check whether there are obstacles in the fan operating range.

11. BaseFan1/2 Too Fast

Check whether the fan is out of order.

Check whether the fan circuit on the motherboard breaks down.

12. HeadFan 1/2/3/4/5 Start Error

Check whether the fan is not running.

Check whether the fan leads are installed in place or disconnected.

Check whether the fan is damaged.

Check whether there are obstacles in the fan operating range.

13. HeadFan 1/2/3/4/5 Stop Error

Check whether the fan circuit on the motherboard breaks down.

Check whether the component is damaged.

14. HeadFan 1/2/3/4/5 Too Slow

Check whether the fan is out of order.

Check whether there are obstacles in the fan operating range.

15. HeadFan 1/2/3/4/5 Too Fast

Check whether the fan is out of order.

Check whether the fan circuit on the motherboard breaks down.

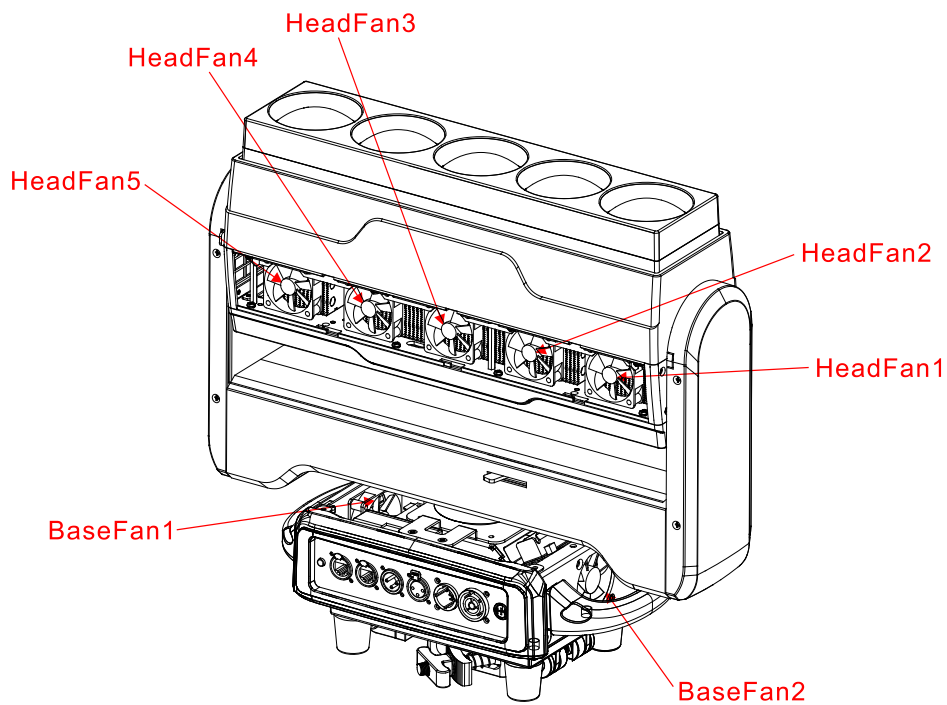
16. LED Too Hot Off

When the fixture temperature of beam mode reaches 75°C, it will automatically turn off to protect the fixture.

When the fixture temperature of strobe mode reaches 100°C, it will automatically turn off to protect the fixture.

17. LED Timeout Use

The position of each fan of the fixture:



7. Troubleshooting

Following are a few common problems that may occur during operation. Here are some suggestions for troubleshooting:

A. The unit does not work, no light and the fan does not work

1. Check the connected power and main fuse.
2. Measure the voltage.
3. Check the power indicator to see whether it can be lit up or not.

B. Not responding to the DMX controller

1. Check whether the DMX connectors and the DMX cables are connected correctly.
2. Check whether the DMX address is correctly set.
3. If the intermittent DMX signal problem occurs, check whether the XLR socket and the signal cable are well connected.
4. Try it with another DMX controller.
5. Check whether the DMX cables run near or alongside to the high-voltage cables, which may damage or interfere with the signal circuit.

C. One of the channels is not working well

1. The stepper motor might be damaged or the cable connected to the PCB might be broken.
2. The motor's drive IC on the PCB might be out of condition.

8. Fixture Cleaning

It is absolutely essential that the fixture is kept clean to ensure the maximum light-output and allow the fixture to function reliably throughout its life. The fixture must be cleaned regularly to avoid dust, dirt and smoke-fluid residues building up on or within the fixture. The cleaning frequency depends on the application environment. Clean the fixture immediately if the dust enters it to avoid damage to the optical lens due to excessive dust.

- A soft lint-free cloth moistened with any good glass cleaning fluid is recommended, under no circumstances should solvents be used.
- Always dry the parts carefully.
- Clean the external optical lens at least every 20 days.

Declaration of Conformity

We declare that our products (lighting equipments) comply with the following specification and bears CE mark in accordance with the provision of the Electromagnetic Compatibility (EMC) Directive 2014/30/EU.

EN 55032: 2015+A11:2020; EN IEC 61000-3-2: 2019;
EN 61000-3-3: 2013+A1: 2019; EN 55035: 2017+A11: 2020.

&

Harmonized Standard

EN 60598-1: 2015+A1: 2018; EN 60598-2-17: 2018;
EN 62493: 2015.

Safety of household and similar electrical appliances
Part 1: General requirements and tests

Certifications

cETLus Approved (Control #5000057)

Innovation, Quality, Performance